

Forklift Jibs - Low Liner Range

An inexpensive jib which gives longer reach capabilities for picking up a product which is difficult to palletise or for handling motors, press tools etc. from positions which are hard to access.

Supplied with hook and shackle which can be moved to any suitable lifting position



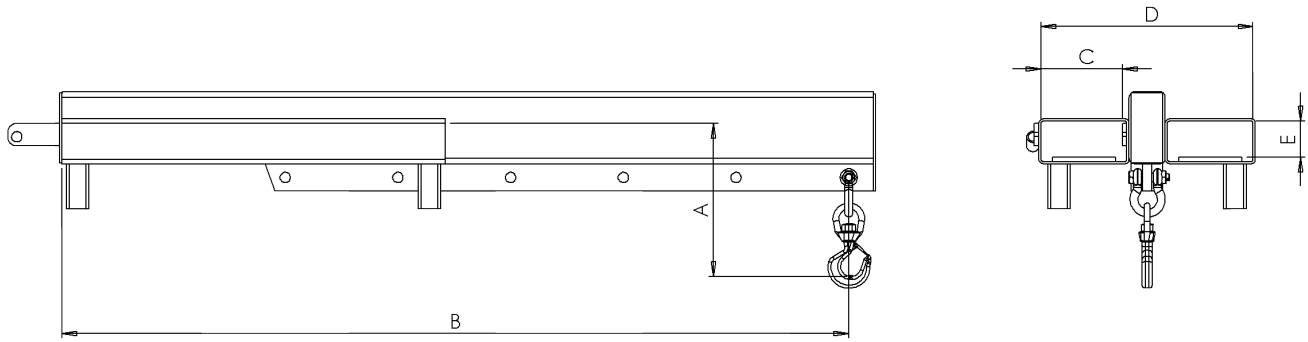
Model Ref	Minimum Truck Capacity (kg)	Lifting Capacity (kg) at Load Centre (mm)					
		500	750	1000	1250	1500	1750
LLJ 500-0.8	1000	800	630	500	380	310	230
LLJ 500-1.0	1300	1000	800	630	470	380	280
LLJ 500-1.3	1500	1300	900	680	500	450	380
LLJ 500-1.8	2000	1800	1400	1100	900	720	580
LLJ 500-2.2	2500	2200	1700	1400	1100	1000	830
LLJ 500-2.7	3000	2700	1900	1450	1200	1100	900
LLJ 500-3.1	3500	3100	2400	1900	1500	1200	1000
LLJ 500-3.5	4000	3500	2700	2000	1600	1300	1100
LLJ 500-4.4	5000	4400	3400	2700	2200	1850	1400

Features & Benefits

- Low profile design allows for better access into areas where space is limited
- Jib rated to suit the capacity of the lift truck, which helps to reduce wear & tear and possible overloading
- Multiple hook positions for flexible load handling whilst reducing handling costs
- Long jib arm helps reach otherwise inaccessible places
- Heel retaining pins ensures jib is safely secured to the forklift forks
- CE marked and supplied with certificate of conformity for health & safety regulations

Forklift Jibs - Low Liner Range

Jib Dimensions



Model Ref	"A" Hook Height (mm)	"B" Last Hole (mm)	"C" Max Fork Width (mm)	"D" Fork Spread (mm)	"E" Max Fork Thickness (mm)	Weight (kg)
LLJ 500-0.8	289	1750	130	360	55	125
LLJ 500-1.0	289	1750	130	360	55	125
LLJ 500-1.3	289	1750	130	360	55	125
LLJ 500-1.8	339	1750	130	360	55	125
LLJ 500-2.2	354	1750	130	360	55	127
LLJ 500-2.7	354	1750	170	460	70	129
LLJ 500-3.1	364	1750	170	460	70	129
LLJ 500-3.5	414	1750	170	460	70	129
LLJ 500-4.4	438	1750	170	460	70	186