

Forklift Car Mover

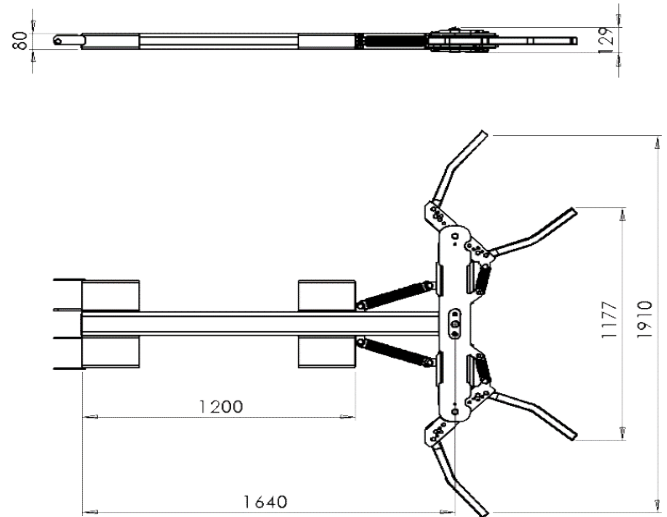


Move cars effortlessly with our forklift car mover attachment, designed to securely lift and transport vehicles using a forklift truck.

Featuring articulating arms for safe and damage-free car grabbing, this attachment is equipped with an oilite bearing for smooth pivoting of the head.

With a 1500kg safe working load capacity and adjustable arm spacing, our car mover ensures efficient and safe handling of various car makes, models, and sizes without the need for a driver, allowing for closer parking arrangements.

Model Ref: FM-CAR-MOVER	
Capacity (kg)	1500
Max Fork Section (mm)	140 x 60
Horizontal C of G (mm)	1219
Weight (kg)	133



Features & Benefits

- Mechanical design perfect for garages, body shops, scrap yards & impound yards
- Low profile designed for easy access under front bumper of vehicle
- Simple mechanical operation utilising two articulating arms to grab a car safely without causing tyre damage
- Oilite bearing enables the head to pivot, ensuring the vehicle can be towed once lifted
- Spring loaded arms return to their original position ensuring the unit is simple to use
- Universal design to fit majority of vehicles

